



PARTS BREAKDOWN

TRASH TRANSFER PUMP

MODEL: PA-WPT3

'TYPE T'

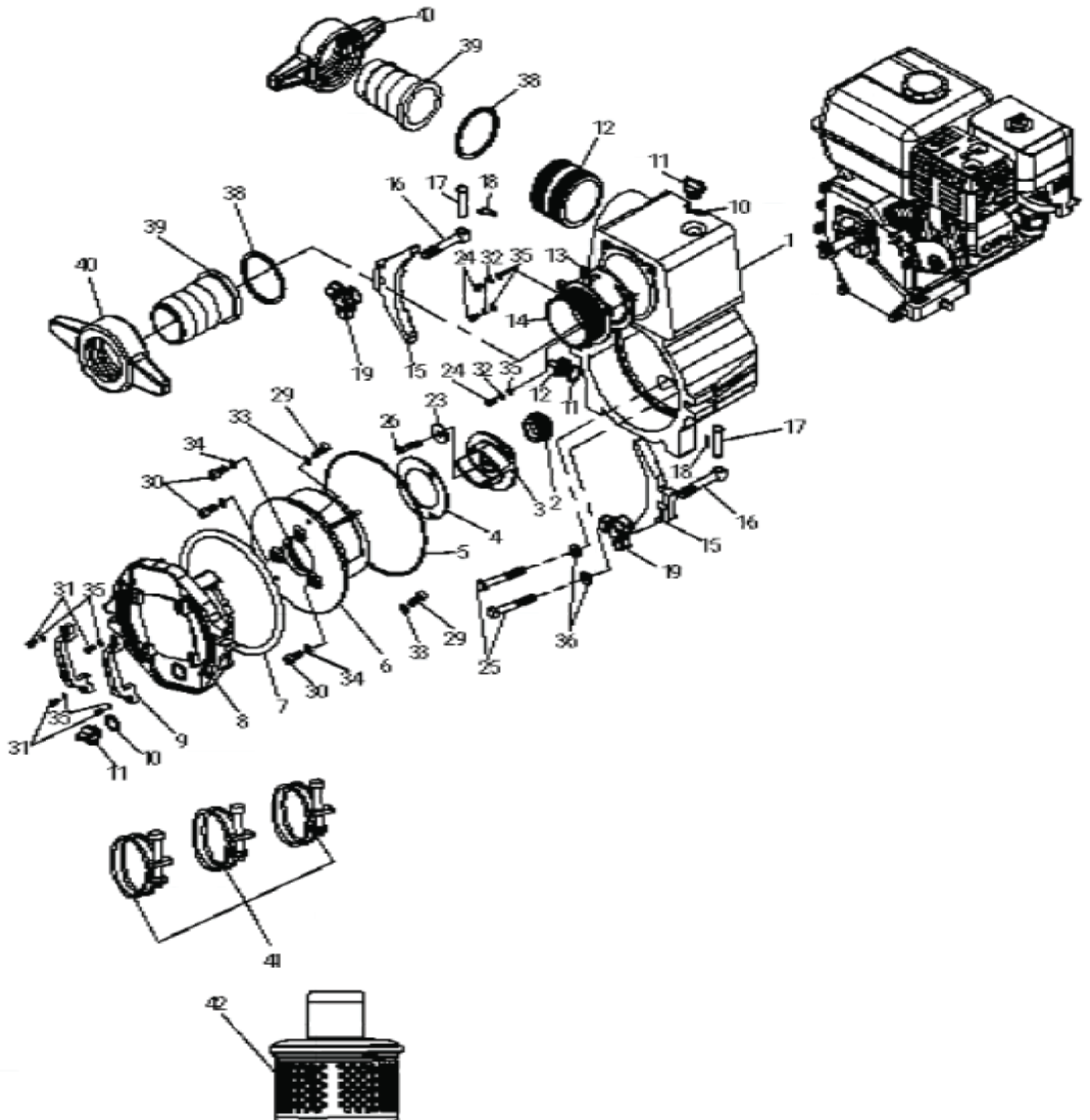




PARTS BREAKDOWN TRASH TRANSFER PUMP

MODEL: PA-WPT3

WATER PUMP ASSEMBLY





PARTS BREAKDOWN

TRASH TRANSFER PUMP

MODEL: PA-WPT3

WATER PUMP ASSEMBLY

REF #	DESCRIPTION	QTY	PART #
	Engine (GX390)	1	PA-P85510131
1	Casing, 3" TP (for GX390)	1	PA-P50103030
2	Mechanical Seal, 3"&4" TP	1	PA-P50104004
3	Impeller 3" TP key style	1	PA-P50103031
4	Circle Packing, 3"&4" TP	1	PA-P50103005
5	O-Ring,Volute - 220mm, 3"&4" TP	1	PA-P50103016
6	Volute, 3" TP	1	PA-P50103020
7	O-Ring 242mm, 3"&4" TP	1	PA-P50103017
8	Cover, 3"&4" TP	1	PA-P50103023
9	Handles, 3"&4" TP	2	PA-P50103008
10	24mm O-Ring	3	PA-P50103021
11	Cap Plug	3	PA-P50103002
12	Iron Tube, 3" TP	1	PA-P50103019
13	Check Valve (Flapper), 3" TP	1	PA-P50103000
14	Suction Flange, 3" TP	1	PA-P50003013
15	Pressboard, 3"&4" TP	2	PA-P50103006
16	Screw, 3"&4" TP	2	PA-P50103009
17	Pin, Hinge, 3"&4" TP	2	PA-P50103014
18	Pin, Lock (R), 3"&4" TP	2	PA-P50103015
19	Nut, 3"&4" TP	2	PA-P50103007
23	Impeller Packing	1	PA-P50104022
24	Screw	4	N/A
25	Screw	4	PA-P50103011
26	Screw	1	N/A
28	Screw	2	N/A
30	Screw	3	PA-P50103010
31	Screw	4	N/A
32	Spring Washer	4	N/A
34	Spring Washer	7	PA-P50103012
35	Flat Washer	4	N/A
36	Aluminum Washer	4	PA-P50002011
38	Washer, rubber, 3" TP	2	N/A
39	Nipple, plastic 3" TP	2	N/A
40	Coupling, 3" TP	2	N/A
41	Hose Band, 3" TP	3	30-22
42	Strainer, 3" TP	1	PA-P50103018

REF #	DESCRIPTION	QTY	PART #
	HONDA GX390 ENGINE	1	CHECK WITH HONDA

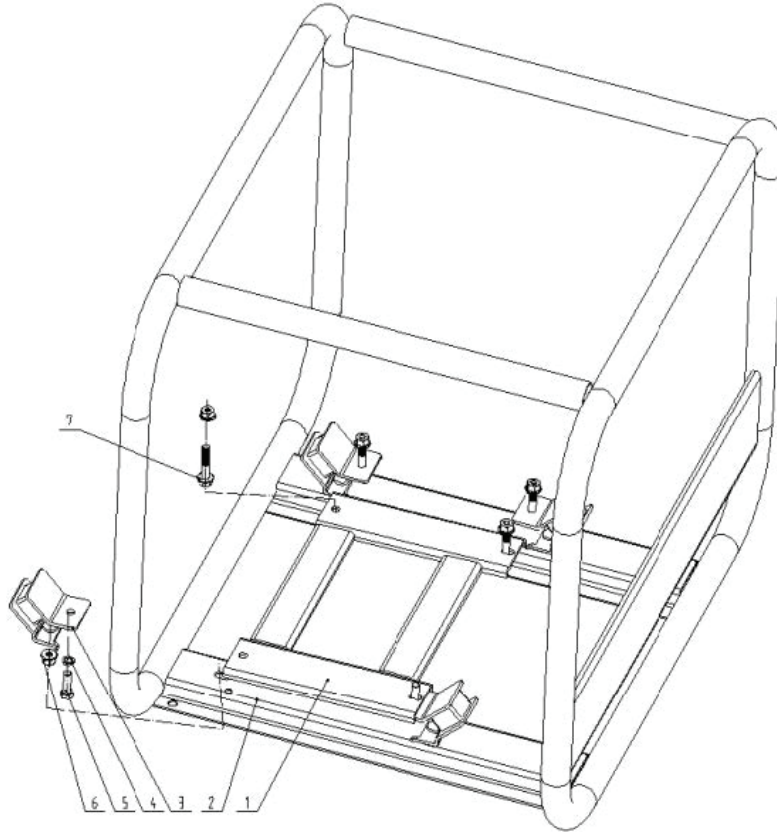


PARTS BREAKDOWN

TRASH TRANSFER PUMP

MODEL: PA-WPT3

FRAME



REF #	DESCRIPTION	QTY	PART #
1	SUPPORT PLATE	1	PA-P50103408
2	FRAME	1	
3	SHOCK ABSORBER	4	PA-P50102154
4	SPRING WASHER	2	
5	OUTER HEXAGON BOLT M8 x 25	2	
6	SKID RESISTANT NUT WITH PAD M8	8	
7	OUTER HEXAGON BOLT M8 x 40	4	CHECK HARDWARE STORE

patron[®]

